

Developer must complete project

Although a great deal of work has been done to upgrade an effluent outfall line, Halfmoon Bay Developments must complete all outstanding work on its waste management permit before the SCRDP will consider becoming co-holders of the permit again.

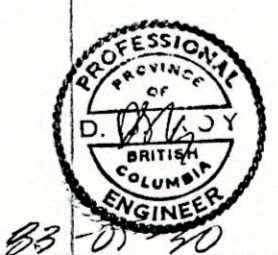
Director Jim Gurney made the recommendation to Thursday night's public utilities committee to hold the line until all elements of the permit were "straightened up" and money was returned. "The official position of the board is still to have our name off the permit," said Gurney.

To date, Halfmoon Bay Developments, owned by Len Van Emmond, has completed the installation of a continuous effluent outfall line and weather-proofing. They have poured 6 1/2 meters of concrete over the pipe at the intertidal zone, which gives protection from wave action.

Some 800 ft. of weighted sciair pipe have been laid. The end result of the efforts will be a continuous sciair pipe of more than 650 ft. in length from the low-water mark to the end of the diffuser.

Works superintendent Siegfried Lehmann had Termude Dive Services of Vancouver, look at what has been done by Halfmoon Bay Developments. They report the pipe is "whole and without evident cracks or breaches of any sort to a distance of 450 ft. to 500 ft. beyond the tidal low water line."

THE PRESS HOME OF THE ORIGINAL GUARANTEED AD!
885-5121 PLACE IT ONCE. CALL US TO CANCEL!



HALFMOON BAY DEVELOPMENTS LTD. D.L. 2394 GPI N.W.D.

GENERAL PLAN OF SANITARY SEWAGE SYSTEM

PLAN SHOWING LOCATION OF EXISTING TREATMENT PLANT & PROPOSED ADDITIONAL PLANT

SHEET OF J-12-80E

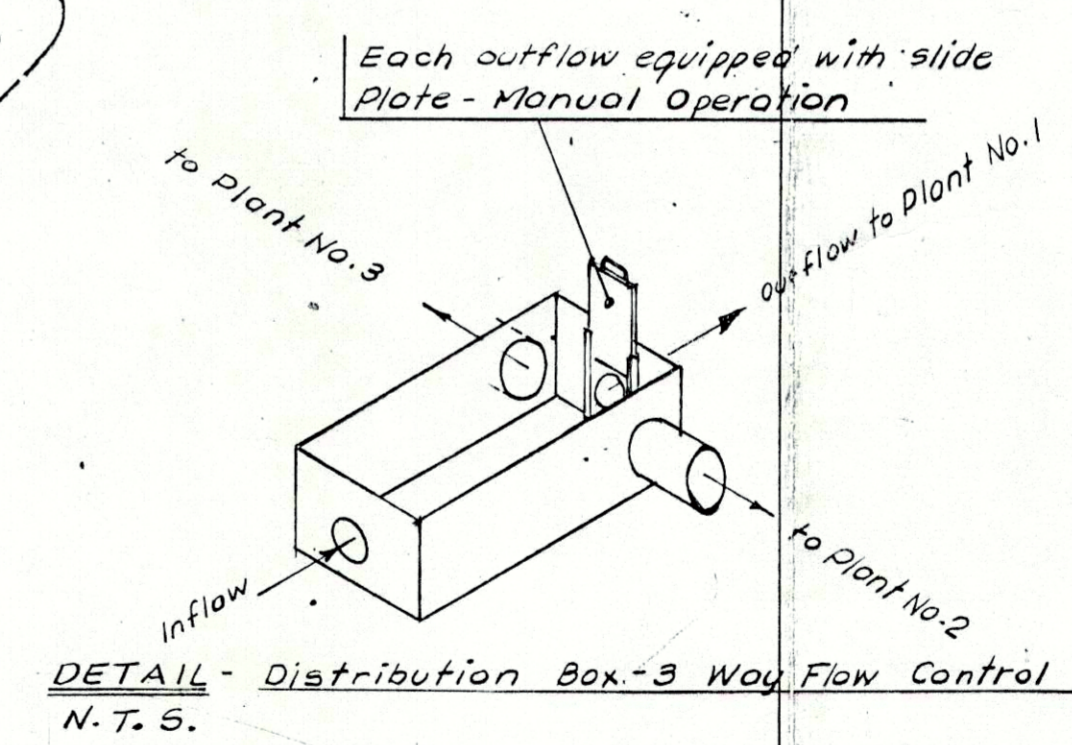
Plants No. 2 & No. 3 will be Model No. 15000 Chicago Pump FMC Corp. Rated operation MB Packaged Sewage Treatment Plant Built by Sanitherm Engineering Vancouver.

Plant No. 2 will be installed prior to July 1, 1983

Halfmoon Bay Developments Ltd. Authorized Signatory

Approved: dayof. 1983
Sunshine Coast Regional District

HALFMOON BAY
PLAN SCALE 1:1000
NOTE: 150 mm Ø Sciairpipe Outfall Pipe 650 m long. Depth @ Diffuser ± 33 m 88-08-29
Bearing to Diffuser 173° 88-08-29



Plan Updated: 88-01-30
This print dated 88-05-30
ROY ENGINEERING LTD.
ROBERTS CREEK B.C.
VON-2W0 886-2505